



METRA CLARK

Refrigeration & Air-Conditioning Wholesale

DYNAPACK

SEMI HERMETIC



Catalogue

OUR MISSION AND CORE VALUES

Support our customers with friendly, skillful, and reliable expertise. Deliver refrigeration and air-conditioning products with the highest quality in the most efficient manner.

Metraclark conducts business as follows:



Devoted to honourable and ethical business practices.



Committed to customer support and service.



Dedicated to employee development.



Committed to continuous product development with the goal of reducing environmental impact.



Dedicated to building and maintain customer and supplier relationships.



Devoted to supplying cost effective food preservation and comfort cooling products available throughout Southern Africa.

QUALIFIED ENGINEERS CONTINUOUS DEVELOPMENT
EXPERIENCED QUALITY INTERNATIONAL ISO : 9001
LOCAL MANUFACTURING LATEST PRODUCTS
RELIABILITY BESPOKE
INNOVATION **DYNAMIC TECHNOLOGY**
BESPOKE ENERGY SAVING QUALIFIED ENGINEERS
TECHNOLOGY LARGEST SALES NETWORK IN AFRICA

TABLE OF CONTENTS

INTRODUCTION	-1-
NOMENCLATURE	-2-
HIGH AMBIENT MEDIUM TEMP	-3-
MEDIUM TEMPERATURE	-5-
HIGH AMBIENT LOW TEMP	-7-
LOW TEMPERATURE	-9-
INSTALLATION GUIDELINE DRAWINGS	-11-
DIMENSIONAL DRAWINGS	-12-

COMMENTS

The DYNAPACK range of horizontal air-cooled condensing units have been designed as an outdoor all weather refrigeration unit. The mechanical design of the outdoor enclosure allows for on-site stacking with its unique load bearing design. Thus, reducing installation time, and costs as there is no need for additional carpentry and mounting brackets. The DYNAPACK range has been adapted to fit Copeland Semi-Hermetic, Copeland Scroll, Danfoss Reciprocating, and Tecumseh Reciprocating compressors. . The range includes more than **500** different model variants, with one fan condenser modules up to six fan condenser modules, suited for low-, medium-, and high temperature applications. Therefore, the DYNAPACK range is a highly compatible all weather range of condensing units suited for every outdoor commercial refrigeration application, under the Metraclark Dynamic brand. The DYNAPACK range is manufactured under strict ISO 9001:2015 quality management and all units are pressure tested before dispatching.

DESIGN

- DYNAPACK condensers and base frames utilize a modular design approach for stackability and ease of installation.
- Multi-refrigerant design options available: R134a, R404a, R507a, and R407F.
- Four condenser design configurations to suite all southern African ambient conditions.
- All sheet metal is fully powder coated for corrosion resistance.

OPTIONAL EXTRAS

- Condenser fan speed control.
- BluChem treatment for condenser coil.
- BPHE for hot water recovery.
- BPHE for chilled water applications.
- Stainless steel housing on request.

ENERGY EFFICIENCY OPTIONS

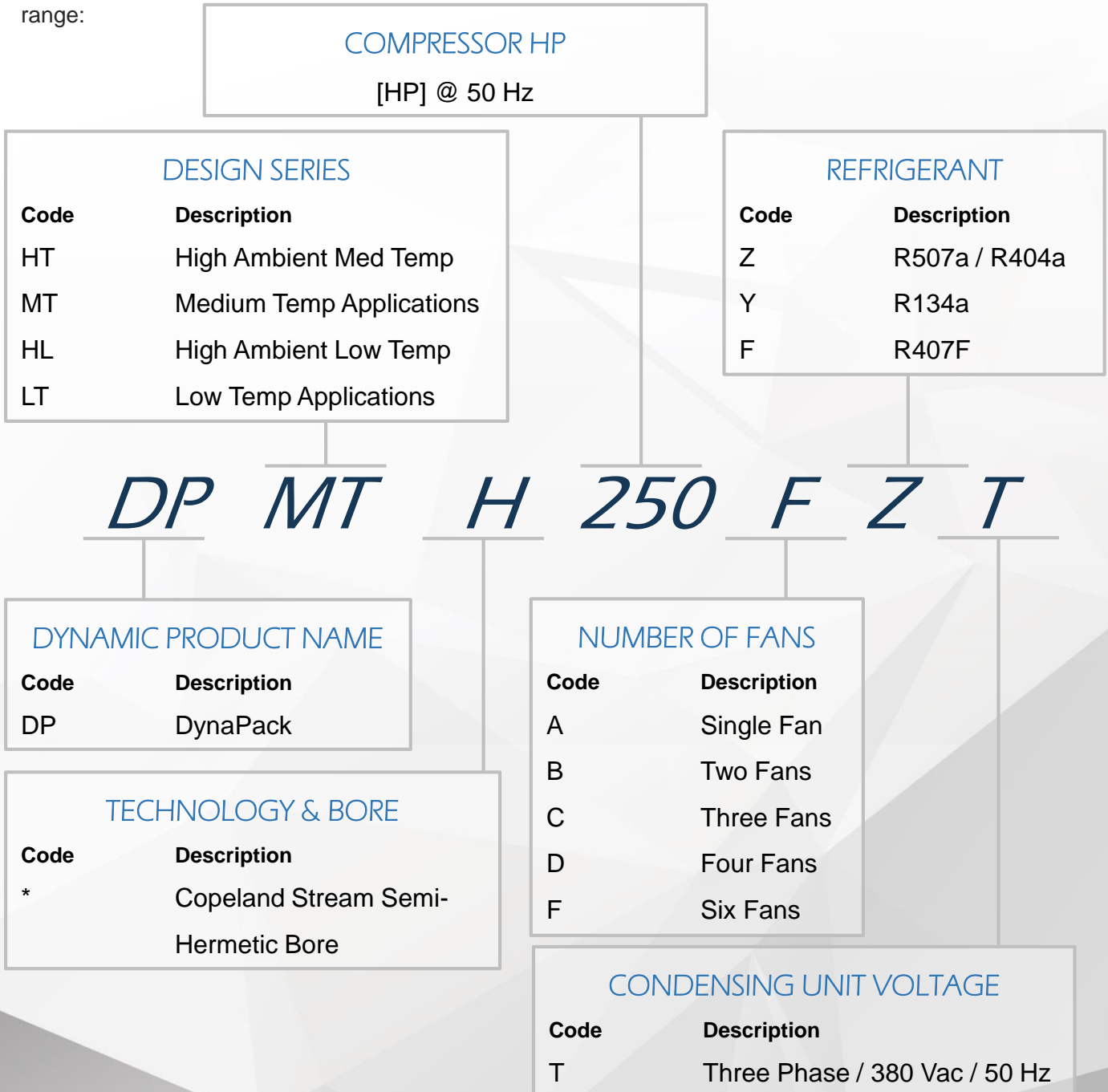
- Digital enhancement for energy saving: Digital and mechanical capacity unloading, VFD, and soft starters to reduce starting inrush current.

STANDARD COMPONENTS

- Powder coated outdoor enclosure.
- Copper tube and aluminium finned condenser coil block.
- EBM Axial fans with protective grill.
- Liquid receiver with outlet isolating valve.
- Suction and discharge vibration eliminators where applicable according to compressor.
- Oil separator with oil return line where applicable according to refrigerant flow rate.
- Suction accumulator on low temperature units.
- Liquid line with drier and sight glass.
- Replaceable liquid line filter drier on units with compressors of 20 HP and up.
- Individual Danfoss HP and LP switches, and pressure gauges.
- Danfoss HP Auto pressure switches for head pressure regulation on multiple fan units.
- Service valves where applicable according to compressor type.
- Thermistor motor protection module.
- Compressor crankcase heater.
- Compressor and condenser electrics.

NOMENCLATURE

The model designation contains the following technical information about the standard DynaPack range:



*FOR MORE INFORMATION PLEASE CONTACT YOUR NEAREST METRA CLARK
OUTLET OR THE METRA CLARK ENGINEERING DEPARTMENT*

Model Reference	Ambient Temperature [°C]	Suction Temperature [°C]					
		-15	-10	-5	0	5	10
DPHTJ010AZT	34	1.86	2.36	2.96	3.65	4.45	5.37
	36	1.76	2.24	2.82	3.49	4.26	5.16
	38	1.66	2.13	2.68	3.33	4.08	4.94
	40	1.56	2.01	2.54	3.16	3.89	4.73
DPHTJ015AZT	34	2.36	2.97	3.71	4.57	5.57	6.74
	36	2.24	2.84	3.55	4.39	5.36	6.50
	38	2.12	2.70	3.39	4.20	5.16	6.26
	40	2.01	2.56	3.23	4.02	4.95	6.03
DPHTE020AZT	34	3.30	4.32	5.52	6.93	8.57	10.47
	36	3.10	4.08	5.24	6.60	8.19	10.03
	38	2.90	3.84	4.96	6.27	7.81	9.59
	40	2.70	3.61	4.68	5.94	7.43	9.15
DPHTF030BZT	34	4.81	6.15	7.73	9.57	11.70	14.15
	36	4.56	5.86	7.39	9.17	11.24	13.62
	38	4.31	5.57	7.04	8.77	10.78	13.10
	40	4.07	5.27	6.70	8.37	10.32	12.57
DPHTJ030BZT	34	5.31	6.79	8.54	10.58	12.93	15.63
	36	5.02	6.46	8.15	10.12	12.41	15.04
	38	4.73	6.12	7.75	9.67	11.88	14.44
	40	4.44	5.78	7.36	9.21	11.36	13.84
DPHTL040BZT	34	6.81	8.76	11.07	13.77	16.90	20.50
	36	6.46	8.35	10.60	13.23	16.29	19.81
	38	6.11	7.94	10.12	12.69	15.67	19.11
	40	5.76	7.53	9.65	12.15	15.05	18.41
DPHTB075CZT	34	11.23	14.15	17.61	21.67	26.39	31.84
	36	10.68	13.50	16.84	20.78	25.37	30.67
	38	10.13	12.84	16.07	19.88	24.33	29.49
	40	9.56	12.17	15.28	18.97	23.29	28.30
DPHTC100DZT	34	15.53	19.58	24.36	29.95	36.45	43.96
	36	14.81	18.73	23.36	28.79	35.12	42.43
	38	14.09	17.88	22.36	27.63	33.77	40.89
	40	13.36	17.02	21.35	26.45	32.42	39.34
DPHTS150FZT	34	20.86	26.08	32.21	39.36	47.65	57.21
	36	19.92	24.97	30.91	37.85	45.92	55.23
	38	18.97	23.85	29.61	36.34	44.17	53.23
	40	18.01	22.73	28.29	34.81	42.42	51.22
DPHTA220FZT	34	24.46	30.83	38.27	46.89	56.83	68.22
	36	23.29	29.46	36.67	45.05	54.72	65.81
	38	22.13	28.10	35.09	43.22	52.62	63.42
	40	20.98	26.75	33.51	41.39	50.52	61.02
DPHTH250FZT	34	28.66	36.29	45.25	55.68	67.72	81.53
	36	27.31	34.71	43.40	53.55	65.28	78.76
	38	25.96	33.12	41.55	51.41	62.83	75.97
	40	24.61	31.52	39.69	49.26	60.37	73.17

DESIGN CRITERIA: Subcooling: 0 [K] / Suction superheat: 10 [K]

TECHNICAL SPECIFICATION

MODEL REFERENCE	CONDENSER MODEL	STUB CONNECTIONS		RECEIVER VOLUME	DIMENSIONS			FLA	STOCK CODE
		Liquid	Suction	[L]	L [m]	W [m]	H [m]	[A]	
DPHTJ010AZT	DPH1131-400	3/8"	5/8"	7.1	0.750	1.000	0.974	4	REPC10056
DPHTJ015AZT	DPH1141-400	3/8"	5/8"	7.1	0.750	1.000	0.974	4	REPC10106
DPHTE020AZT	DPH1151-500	3/8"	7/8"	7.1	0.750	1.000	0.974	7	REPC10156
DPHTF030BZT	DPH2132-400	1/2"	7/8"	16.9	1.500	1.000	0.974	8	REPC10206
DPHTJ030BZT	DPH2122-500	1/2"	7/8"	16.9	1.500	1.000	0.974	11	REPC10256
DPHTL040BZT	DPH2132-500	1/2"	1 1/8"	16.9	1.500	1.000	0.974	12	REPC10306
DPHTB075CZT	DPH3143-500	5/8"	1 3/8"	26.7	2.250	1.000	0.974	20	REPC10356
DPHTC100DZT	DPH2244-500	5/8"	1 3/8"	33.8	1.500	1.000	1.859	23	REPC10406
DPHTS150FZT	DPH3236-500	7/8"	1 5/8"	33.8	2.250	1.000	1.859	33	REPC10456
DPHTA220FZT	DPH3246-500	7/8"	1 5/8"	33.8	2.250	1.000	1.859	41	REPC10506
DPHTH250FZT	DPH3266-500	7/8"	2 1/8"	33.8	2.250	1.000	1.859	46	REPC10556

ENGINEERING NOTES:

*DynaPack units are to be installed and operated outside, in a well ventilated area, with suggested minimum wall clearance.

**Anti-vibration pads are to be used under the feet of the unit.

***Contact the Metraclark Engineering department for alternative DynaPack configurations.

MEDIUM TEMPERATURE

COOLING CAPACITY [kW]

R404A/R507

Model Reference	Ambient Temperature [°C]	Suction Temperature [°C]					
		-15	-10	-5	0	5	10
DPMTJ010AZT	30	1.95	2.48	3.10	3.81	4.64	5.58
	32	1.86	2.36	2.96	3.65	4.45	5.37
	34	1.76	2.24	2.82	3.49	4.26	5.16
	36	1.66	2.13	2.68	3.33	4.08	4.94
DPMTJ015AZT	30	2.47	3.11	3.87	4.75	5.79	6.98
	32	2.36	2.97	3.71	4.57	5.57	6.74
	34	2.24	2.84	3.55	4.39	5.36	6.50
	36	2.12	2.70	3.39	4.20	5.16	6.26
DPMTE020AZT	30	3.50	4.56	5.80	7.26	8.95	10.90
	32	3.30	4.32	5.52	6.93	8.57	10.47
	34	3.10	4.08	5.24	6.60	8.19	10.03
	36	2.90	3.84	4.96	6.27	7.81	9.59
DPMTF030AZT	30	5.06	6.45	8.08	9.97	12.16	14.68
	32	4.81	6.15	7.73	9.57	11.70	14.15
	34	4.56	5.86	7.39	9.17	11.24	13.62
	36	4.31	5.57	7.04	8.77	10.78	13.10
DPMTJ030AZT	30	5.60	7.13	8.94	11.04	13.46	16.23
	32	5.31	6.79	8.54	10.58	12.93	15.63
	34	5.02	6.46	8.15	10.12	12.41	15.04
	36	4.73	6.12	7.75	9.67	11.88	14.44
DPMTL040BZT	30	7.15	9.17	11.54	14.31	17.51	21.19
	32	6.81	8.76	11.07	13.77	16.90	20.50
	34	6.46	8.35	10.60	13.23	16.29	19.81
	36	6.11	7.94	10.12	12.69	15.67	19.11
DPMTB075BZT	30	11.78	14.79	18.36	22.54	27.39	32.98
	32	11.23	14.15	17.61	21.67	26.39	31.84
	34	10.68	13.50	16.84	20.78	25.37	30.67
	36	10.13	12.84	16.07	19.88	24.33	29.49
DPMTC100CZT	30	16.25	20.43	25.34	31.10	37.78	45.48
	32	15.53	19.58	24.36	29.95	36.45	43.96
	34	14.81	18.73	23.36	28.79	35.12	42.43
	36	14.09	17.88	22.36	27.63	33.77	40.89
DPMTS150CZT	30	21.79	27.18	33.49	40.85	49.37	59.18
	32	20.86	26.08	32.21	39.36	47.65	57.21
	34	19.92	24.97	30.91	37.85	45.92	55.23
	36	18.97	23.85	29.61	36.34	44.17	53.23
DPMTA220DZT	30	25.63	32.21	39.86	48.73	58.95	70.63
	32	24.46	30.83	38.27	46.89	56.83	68.22
	34	23.29	29.46	36.67	45.05	54.72	65.81
	36	22.13	28.10	35.09	43.22	52.62	63.42
DPMTH250FZT	30	30.00	37.86	47.08	57.79	70.14	84.29
	32	28.66	36.29	45.25	55.68	67.72	81.53
	34	27.31	34.71	43.40	53.55	65.28	78.76
	36	25.96	33.12	41.55	51.41	62.83	75.97
DPMTI300FZT	30	33.83	42.12	51.74	62.89	75.71	90.38
	32	32.36	40.40	49.75	60.59	73.07	87.38
	34	30.88	38.67	47.74	58.27	70.42	84.35
	36	29.39	36.92	45.71	55.92	67.73	81.30
DPMTK350FZT	30	42.06	52.80	65.40	80.07	97.00	116.40
	32	40.14	50.53	62.75	77.00	93.48	112.40
	34	38.20	48.24	60.07	73.90	89.93	108.36
	36	36.24	45.92	57.37	70.77	86.34	104.28

DESIGN CRITERIA: Subcooling: 0 [K] / Suction superheat: 10 [K]

TECHNICAL SPECIFICATION

MODEL REFERENCE	CONDENSER MODEL	STUB CONNECTIONS		RECEIVER VOLUME [L]	DIMENSIONS			FLA [A]	STOCK CODE
		Liquid	Suction		L [m]	W [m]	H [m]		
DPMTJ010AZT	DPH1121-400	3/8"	5/8"	7.1	0.750	1.000	0.974	4	REPC20056
DPMTJ015AZT	DPH1121-400	3/8"	5/8"	7.1	0.750	1.000	0.974	4	REPC20106
DPMTE020AZT	DPH1141-400	3/8"	5/8"	7.1	0.750	1.000	0.974	6	REPC20156
DPMTF030AZT	DPH1141-500	3/8"	7/8"	7.1	0.750	1.000	0.974	9	REPC20206
DPMTJ030AZT	DPH1151-500	1/2"	7/8"	7.1	0.750	1.000	0.974	9	REPC20256
DPMTL040BZT	DPH2132-400	1/2"	1 3/8"	16.9	1.500	1.000	0.974	10	REPC20306
DPMTB075BZT	DPH2142-500	5/8"	1 3/8"	16.9	1.500	1.000	0.974	19	REPC20356
DPMTC100CZT	DPH3143-500	5/8"	1 3/8"	26.7	2.250	1.000	0.974	25	REPC20406
DPMTS150CZT	DPH3163-500	5/8"	1 3/8"	26.7	2.250	1.000	0.974	33	REPC20456
DPMTA220DZT	DPH2254-500	7/8"	1 5/8"	33.8	1.500	1.000	1.859	39	REPC20506
DPMTH250FZT	DPH3236-500	7/8"	2 1/8"	33.8	2.250	1.000	1.859	46	REPC20556
DPMTI300FZT	DPH3246-500	7/8"	2 1/8"	33.8	2.250	1.000	1.859	51	REPC20606
DPMTK350FZT	DPH3266-500	7/8"	2 1/8"	33.8	2.250	1.000	1.859	65	REPC20656

ENGINEERING NOTES:

*DynaPack units are to be installed and operated outside, in a well ventilated area, with suggested minimum wall clearance.

**Anti-vibration pads are to be used under the feet of the unit.

***Contact the Metraclark Engineering department for alternative DynaPack configurations.

Model Reference	Ambient Temperature [°C]	Suction Temperature [°C]					
		-40	-35	-30	-25	-20	-15
DPHLJ010AZT	34	0.31	0.52	0.77	1.07	1.43	1.86
	36	0.27	0.48	0.72	1.00	1.35	1.76
	38	0.24	0.44	0.66	0.94	1.27	1.66
	40	0.21	0.40	0.61	0.87	1.19	1.56
DPHLJ015AZT	34	0.47	0.74	1.04	1.40	1.84	2.36
	36	0.43	0.68	0.97	1.32	1.74	2.24
	38	0.38	0.63	0.91	1.24	1.64	2.12
	40	0.34	0.57	0.84	1.16	1.54	2.01
DPHLE020AZT	34		0.56	1.10	1.72	2.44	3.30
	36		0.46	0.98	1.57	2.27	3.10
	38		0.36	0.86	1.43	2.11	2.90
	40		0.27	0.75	1.30	1.94	2.70
DPHLF030AZT	34	0.70	1.27	1.93	2.73	3.68	4.81
	36	0.60	1.15	1.79	2.56	3.47	4.56
	38	0.51	1.03	1.65	2.38	3.26	4.31
	40	0.41	0.92	1.51	2.21	3.06	4.07
DPHLJ030AZT	34	0.77	1.39	2.12	3.00	4.05	5.31
	36	0.66	1.25	1.95	2.79	3.81	5.02
	38	0.55	1.11	1.78	2.59	3.57	4.73
	40	0.44	0.98	1.62	2.39	3.33	4.44
DPHLL040BZT	34	1.06	1.80	2.70	3.81	5.17	6.81
	36	0.93	1.63	2.50	3.57	4.87	6.46
	38	0.80	1.47	2.30	3.32	4.58	6.11
	40	0.68	1.31	2.10	3.08	4.28	5.76
DPHLD040BZT	34	1.73	2.68	3.83	5.23	6.92	8.95
	36	1.57	2.48	3.58	4.93	6.56	8.52
	38	1.41	2.29	3.34	4.63	6.20	8.09
	40	1.26	2.09	3.11	4.34	5.84	7.66
DPHLB050BZT	34	2.28	3.36	4.75	6.46	8.53	10.97
	36	2.10	3.14	4.47	6.12	8.10	10.46
	38	1.93	2.92	4.19	5.77	7.68	9.96
	40	1.77	2.71	3.92	5.43	7.27	9.46
DPHLC075CZT	34	3.71	5.26	7.11	9.32	11.95	15.08
	36	3.44	4.93	6.71	8.83	11.37	14.38
	38	3.16	4.59	6.30	8.33	10.77	13.68
	40	2.88	4.24	5.87	7.82	10.17	12.97
DPHLS100CZT	34	5.22	7.34	9.85	12.84	16.42	20.65
	36	4.87	6.92	9.34	12.23	15.68	19.78
	38	4.52	6.50	8.84	11.62	14.94	18.89
	40	4.17	6.07	8.32	11.00	14.20	18.01
DPHLF130DZT	34	4.95	7.34	10.30	13.91	18.27	23.49
	36	4.57	6.84	9.66	13.11	17.30	22.33
	38	4.20	6.35	9.03	12.32	16.34	21.17
	40	3.84	5.87	8.40	11.54	15.38	20.01
DPHLL150FZT	34	6.57	9.57	13.19	17.53	22.73	28.91
	36	6.09	8.98	12.45	16.63	21.64	27.61
	38	5.61	8.39	11.72	15.73	20.55	26.30
	40	5.14	7.80	10.99	14.84	19.46	25.00
DPHLH250FZT	34	5.29	8.48	12.26	16.79	22.21	28.66
	36	4.76	7.83	11.48	15.85	21.07	27.31
	38	4.23	7.19	10.70	14.90	19.94	25.96
	40	3.71	6.55	9.92	13.95	18.80	24.61
DPHLT220FZT	34	8.71	12.31	16.69	21.99	28.36	35.95
	36	8.10	11.55	15.75	20.85	27.00	34.34
	38	7.49	10.79	14.81	19.71	25.63	32.72
	40	6.89	10.03	13.87	18.57	24.26	31.09
DPHLU250FZT	34	9.47	13.39	18.24	24.15	31.31	39.85
	36	8.83	12.57	17.20	22.87	29.76	38.01
	38	8.20	11.75	16.16	21.58	28.19	36.14
	40	7.57	10.92	15.11	20.28	26.61	34.26

DESIGN CRITERIA: Subcooling: 0 [K] / Suction superheat: 10 [K]

TECHNICAL SPECIFICATION

MODEL REFERENCE	CONDENSER MODEL	STUB CONNECTIONS		RECEIVER VOLUME [L]	DIMENSIONS			FLA [A]	STOCK CODE
		Liquid	Suction		L [m]	W [m]	H [m]		
DPHLJ010AZT	DPH1121-400	3/8"	5/8"	7.1	0.750	1.000	0.974	4	REPC40056
DPHLJ015AZT	DPH1121-400	3/8"	5/8"	7.1	0.750	1.000	0.974	4	REPC40106
DPHLE020AZT	DPH1141-400	3/8"	7/8"	7.1	0.750	1.000	0.974	6	REPC40156
DPHLF030AZT	DPH1141-500	3/8"	7/8"	7.1	0.750	1.000	0.974	9	REPC40206
DPHLJ030AZT	DPH1151-500	3/8"	7/8"	7.1	0.750	1.000	0.974	9	REPC40256
DPHLL040BZT	DPH2132-400	1/2"	1 1/8"	16.9	1.500	1.000	0.974	10	REPC40306
DPHLD040BZT	DPH2132-500	1/2"	1 3/8"	16.9	1.500	1.000	0.974	14	REPC40356
DPHLB050BZT	DPH2142-500	1/2"	1 3/8"	16.9	1.500	1.000	0.974	16	REPC40406
DPHLC075CZT	DPH3133-500	5/8"	1 3/8"	19	2.250	1.000	1.859	23	REPC40456
DPHLS100CZT	DPH3163-500	5/8"	1 3/8"	19	2.250	1.000	1.859	29	REPC40506
DPHLF130DZT	DPH2254-500	5/8"	1 5/8"	33.8	1.500	1.000	1.859	34	REPC40556
DPHLL150FZT	DPH3236-500	7/8"	1 5/8"	33.8	2.250	1.000	1.859	40	REPC40606
DPHLH250FZT	DPH3236-500	7/8"	2 1/8"	33.8	2.250	1.000	1.859	46	REPC40656
DPHLT220FZT	DPH3246-500	7/8"	2 1/8"	33.8	2.250	1.000	1.859	49	REPC40706
DPHLU250FZT	DPH3266-500	7/8"	2 1/8"	33.8	2.250	1.000	1.859	56	REPC40756

ENGINEERING NOTES:

*DynaPack units are to be installed and operated outside, in a well ventilated area, with suggested minimum wall clearance.

**Anti-vibration pads are to be used under the feet of the unit.

***Contact the Metraclark Engineering department for alternative DynaPack configurations.

LOW TEMPERATURE		COOLING CAPACITY [kW]				R404A/R507	
Model Reference	Ambient Temperature [°C]	Suction Temperature [°C]					
		-40	-35	-30	-25	-20	-15
DPLTJ010AZT	30	0.36	0.58	0.85	1.17	1.55	2.00
	32	0.32	0.54	0.79	1.10	1.47	1.90
	34	0.29	0.50	0.74	1.04	1.39	1.81
	36	0.26	0.46	0.69	0.97	1.31	1.71
DPLTJ015AZT	30	0.54	0.82	1.14	1.53	1.99	2.53
	32	0.49	0.76	1.08	1.45	1.89	2.41
	34	0.45	0.71	1.01	1.36	1.79	2.30
	36	0.40	0.65	0.94	1.28	1.69	2.18
DPLTE020AZT	30		0.72	1.28	1.93	2.70	3.61
	32		0.61	1.16	1.79	2.53	3.40
	34		0.51	1.04	1.64	2.36	3.20
	36		0.41	0.92	1.50	2.19	3.00
DPLTF030AZT	30	0.85	1.44	2.15	2.99	3.99	5.19
	32	0.75	1.32	2.00	2.82	3.78	4.94
	34	0.65	1.21	1.86	2.64	3.58	4.69
	36	0.55	1.09	1.72	2.47	3.37	4.44
DPLTJ030AZT	30	0.94	1.59	2.37	3.30	4.42	5.74
	32	0.83	1.45	2.20	3.10	4.17	5.45
	34	0.71	1.32	2.03	2.89	3.93	5.16
	36	0.60	1.18	1.87	2.69	3.69	4.87
DPLTL040AZT	30	1.26	2.05	3.01	4.19	5.61	7.33
	32	1.12	1.88	2.80	3.94	5.32	6.98
	34	0.99	1.71	2.60	3.69	5.02	6.63
	36	0.86	1.55	2.40	3.44	4.73	6.28
DPLTD040AZT	30	1.97	2.97	4.20	5.68	7.46	9.60
	32	1.81	2.78	3.95	5.38	7.10	9.17
	34	1.65	2.58	3.71	5.08	6.74	8.73
	36	1.49	2.38	3.46	4.78	6.38	8.30
DPLTB050BZT	30	2.54	3.70	5.18	6.99	9.17	11.74
	32	2.36	3.48	4.89	6.64	8.74	11.22
	34	2.19	3.25	4.61	6.29	8.31	10.72
	36	2.02	3.03	4.33	5.94	7.89	10.21
DPLTC075BZT	30	4.10	5.74	7.70	10.03	12.81	16.09
	32	3.84	5.43	7.31	9.56	12.24	15.42
	34	3.58	5.10	6.91	9.08	11.66	14.73
	36	3.30	4.76	6.50	8.58	11.07	14.03
DPLTS100BZT	30	5.74	7.95	10.60	13.75	17.51	21.97
	32	5.39	7.54	10.10	13.15	16.78	21.09
	34	5.05	7.13	9.60	12.54	16.05	20.22
	36	4.70	6.71	9.09	11.93	15.31	19.33
DPLTF130BZT	30	5.54	8.11	11.27	15.11	19.74	25.24
	32	5.15	7.60	10.62	14.31	18.76	24.08
	34	4.76	7.09	9.98	13.51	17.79	22.91
	36	4.39	6.60	9.34	12.72	16.82	21.75
DPLTL150CZT	30	7.28	10.46	14.29	18.88	24.36	30.87
	32	6.81	9.87	13.55	17.98	23.27	29.56
	34	6.33	9.28	12.82	17.08	22.19	28.26
	36	5.85	8.69	12.09	16.18	21.10	26.95
DPLTH250CZT	30	6.09	9.45	13.44	18.21	23.90	30.67
	32	5.56	8.80	12.65	17.26	22.77	29.33
	34	5.02	8.15	11.87	16.32	21.64	27.99
	36	4.50	7.51	11.09	15.37	20.51	26.64
DPLTT220CZT	30	9.63	13.45	18.08	23.68	30.39	38.35
	32	9.02	12.69	17.15	22.56	29.04	36.75
	34	8.41	11.93	16.22	21.42	27.68	35.14
	36	7.80	11.17	15.28	20.28	26.32	33.53
DPLTU250DZT	30	10.42	14.62	19.78	26.05	33.60	42.58
	32	9.79	13.81	18.75	24.79	32.07	40.77
	34	9.15	12.98	17.72	23.52	30.53	38.93
	36	8.51	12.16	16.68	22.23	28.98	37.08
DPLTM300DZT	30	12.89	17.92	24.00	31.41	40.40	51.25
	32	12.10	16.95	22.81	29.94	38.61	49.09
	34	11.31	15.98	21.61	28.47	36.81	46.92
	36	10.51	15.01	20.41	26.99	35.01	44.75
DPLTJ450FZT	30	13.32	19.67	27.04	35.72	46.02	58.25
	32	12.31	18.47	25.60	33.98	43.93	55.74
	34	11.30	17.28	24.15	32.23	41.82	53.22
	36	10.30	16.08	22.69	30.46	39.69	50.67
DPLTU400FZT	30	15.92	22.29	30.10	39.63	51.18	65.05
	32	14.96	21.09	28.60	37.77	48.91	62.30
	34	14.00	19.88	27.09	35.90	46.63	59.55
	36	13.03	18.67	25.57	34.03	44.34	56.79

DESIGN CRITERIA: Subcooling: 0 [K] / Suction superheat: 10 [K]

© Copyright Metraclark (PTY) Ltd.

*Cooling capacities listed are estimated values.

**Cooling capacities subject to change without notice.

***Oil separator for 4HP compressors and up.

****Pipe sizing design criteria of 10m pipe runs.

TECHNICAL SPECIFICATION

MODEL REFERENCE	CONDENSER MODEL	STUB CONNECTIONS		RECEIVER VOLUME [L]	DIMENSIONS			FLA [A]	STOCK CODE
		Liquid	Suction		L [m]	W [m]	H [m]		
DPLTJ010AZT	DPH1121-400	1/4"	5/8"	7.1	0.750	1.000	0.974	4	REPC30056
DPLTJ015AZT	DPH1121-400	1/4"	5/8"	7.1	0.750	1.000	0.974	4	REPC30106
DPLTE020AZT	DPH1121-400	1/4"	7/8"	7.1	0.750	1.000	0.974	6	REPC30156
DPLTF030AZT	DPH1121-400	3/8"	7/8"	7.1	0.750	1.000	0.974	8	REPC30206
DPLTJ030AZT	DPH1121-400	3/8"	7/8"	7.1	0.750	1.000	0.974	9	REPC30256
DPLTL040AZT	DPH1131-400	3/8"	1 1/8"	7.1	0.750	1.000	0.974	10	REPC30306
DPLTD040AZT	DPH1141-400	3/8"	1 3/8"	7.1	0.750	1.000	0.974	12	REPC30356
DPLTB050BZT	DPH2132-400	3/8"	1 3/8"	16.9	1.500	1.000	0.974	14	REPC30406
DPLTC075BZT	DPH2132-500	1/2"	1 3/8"	16.9	1.500	1.000	0.974	21	REPC30456
DPLTS100BZT	DPH2142-500	1/2"	1 3/8"	16.9	1.500	1.000	0.974	27	REPC30506
DPLTF130BZT	DPH2152-500	1/2"	1 5/8"	16.9	1.500	1.000	0.974	34	REPC30556
DPLTL150CZT	DPH3133-500	5/8"	1 5/8"	19	2.250	1.000	1.859	40	REPC30606
DPLTH250CZT	DPH3133-500	5/8"	2 1/8"	19	2.250	1.000	1.859	46	REPC30656
DPLTT220CZT	DPH3153-500	5/8"	2 1/8"	19	2.250	1.000	1.859	49	REPC30706
DPLTU250DZT	DPH2244-500	5/8"	2 1/8"	0	1.500	1.000	1.859	55	REPC30756
DPLTM300DZT	DPH2264-500	5/8"	2 1/8"	33.8	1.500	1.000	1.859	63	REPC30806
DPLTJ450FZT	DPH3236-500	7/8"	2 1/8"	33.8	2.250	1.000	1.859	86	REPC30856
DPLTU400FZT	DPH3246-500	7/8"	2 1/8"	33.8	2.250	1.000	1.859	80	REPC30906

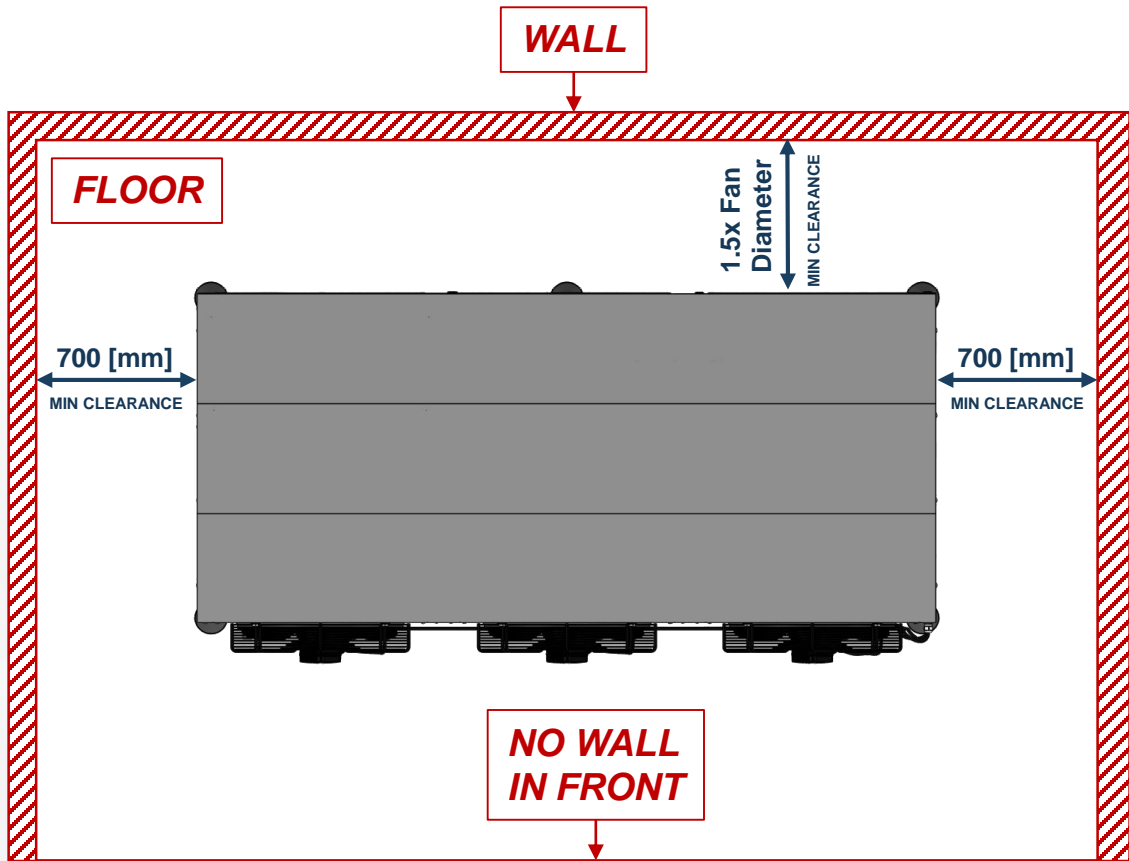
ENGINEERING NOTES:

*DynaPack units are to be installed and operated outside, in a well ventilated area, with suggested minimum wall clearance.

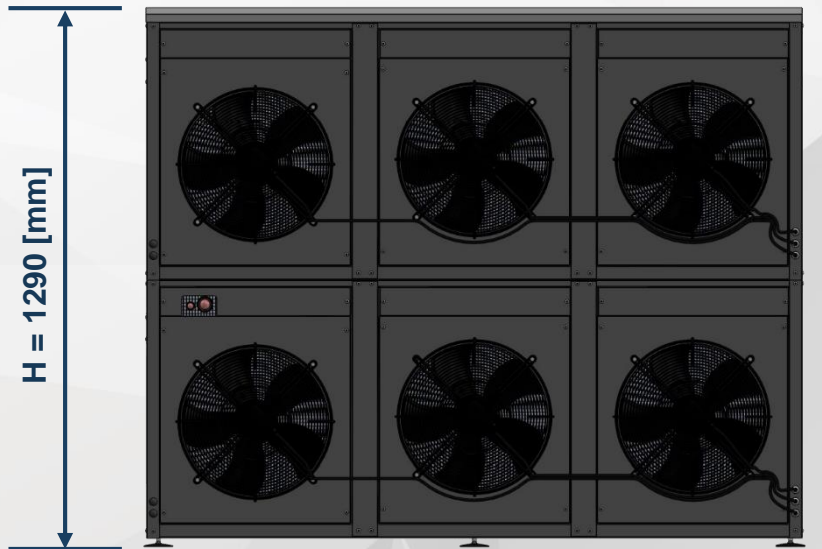
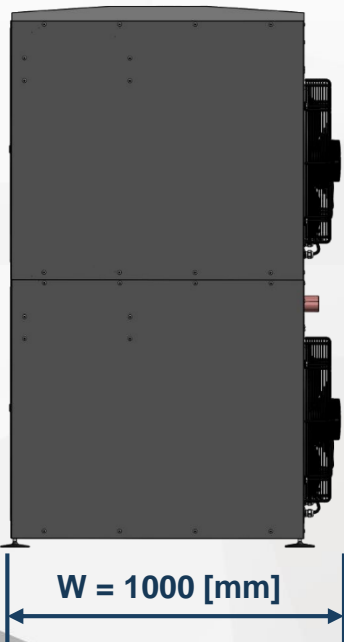
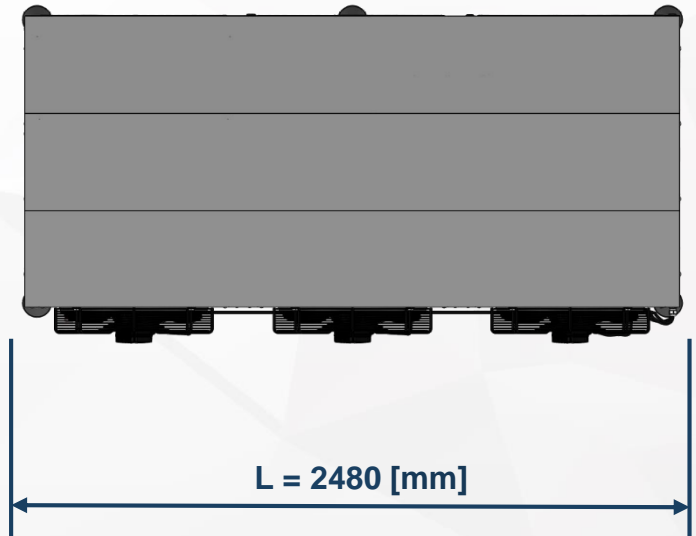
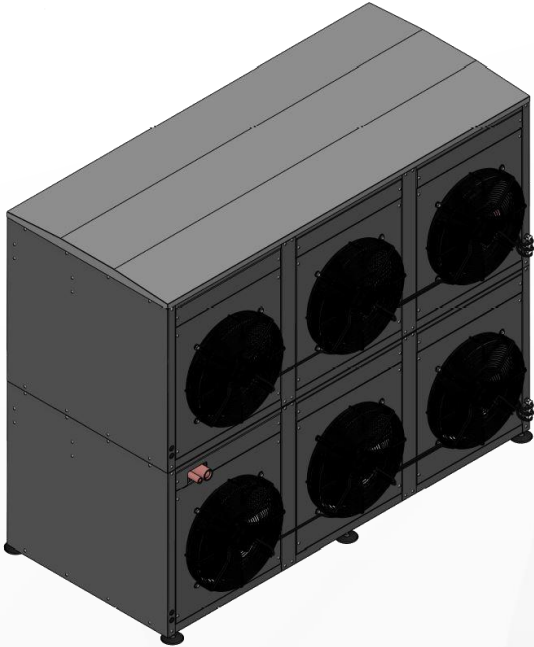
**Anti-vibration pads are to be used under the feet of the unit.

***Contact the Metraclark Engineering department for alternative DynaPack configurations.

INSTALLATION GUIDELINE DRAWINGS



DIMENSIONAL DRAWINGS



ENGINEERING NOTES:

*DynaPack unit illustrated is the DPHTH250FZT condensing unit and the dimensions are for the specified unit only, please refer to the technical specification pages with this catalogue for correct dimensions of the individual unit.



METRACLARK

Refrigeration & Air-Conditioning Wholesale